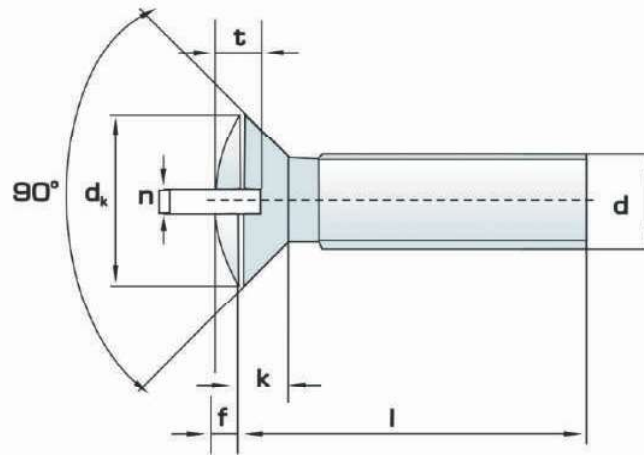


DIN 964 / IS : 8911 -1988 / ISO 2010

Slotted Raised Countersunk Head Screws



Thread size (d)	M2	M2.5	M3	(M3.5)	M4	M5	M6	M8	M10	M12	
Pitch	0.4	0.45	0.5	0.6	0.7	0.8	1.0	1.25	1.5	1.75	
d_k	max	3.8	4.7	5.6	6.5	7.5	9.2	11.0	14.5	18.0	22.0
	min	3.5	4.4	5.3	6.14	7.14	8.84	10.57	14.07	17.5	21.48
f	0.5	0.6	0.75	0.9	1.0	1.25	1.5	2.0	2.5	3.00	
k	max	1.2	1.5	1.65	1.93	2.2	2.5	3.0	4.0	5.0	6.00
n	min	0.56	0.66	0.86	0.86	1.06	1.26	1.66	2.06	2.56	3.06
	max	0.7	0.8	1.0	1.0	1.2	1.51	1.91	2.31	2.81	3.31
t	min	0.8	1.0	1.2	1.4	1.6	2.0	2.4	3.2	4.0	4.8
	max	1.0	1.2	1.45	1.7	1.9	2.3	2.8	3.7	4.5	5.4

* All Dimensions in mm